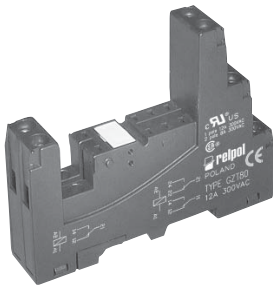


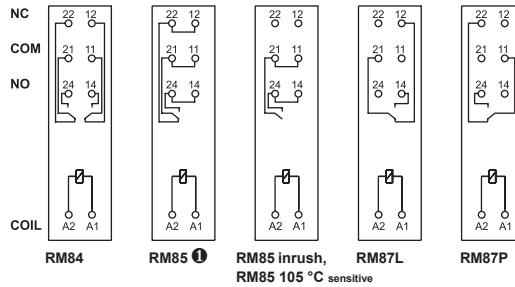
GZT80

For RM84, RM85, RM85 inrush, RM85 105 °C sensitive, RM87L, RM87P

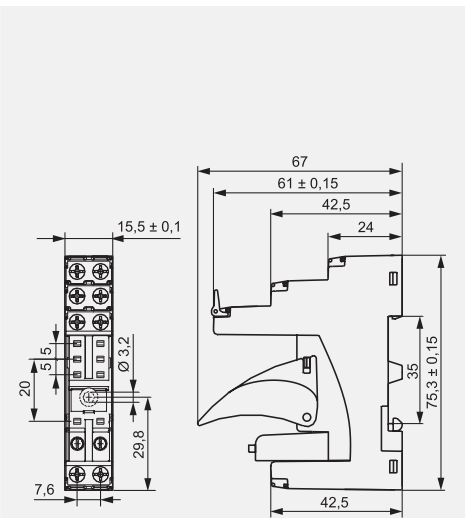
Screw terminals
Maximum screw torque: 0,7 Nm
35 mm DIN rail mount, EN 50022 or on panel mounting
75,3 x 15,5 x 61(67) mm
Two poles, 5 mm raster
12 A, 300 V AC



Connections diagrams



Dimensions

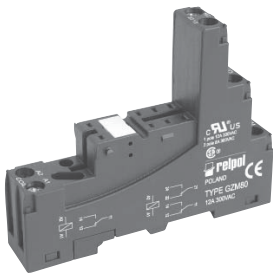


Accessories ② GZT80-0040 GZT80-0035 Module type M...

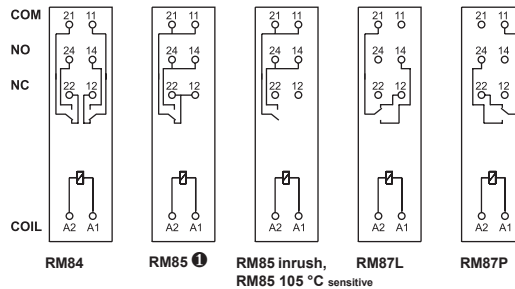
GZM80

For RM84, RM85, RM85 inrush, RM85 105 °C sensitive, RM87L, RM87P

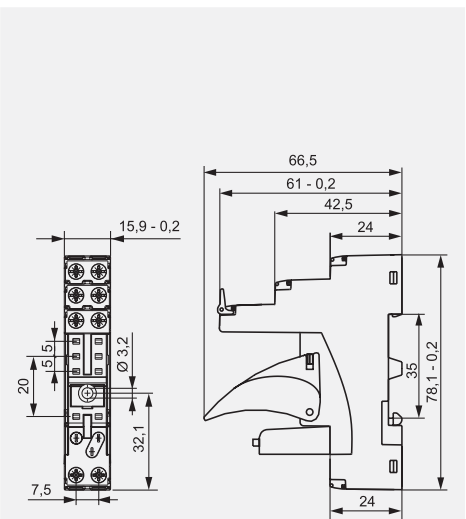
Screw terminals
Maximum screw torque: 0,7 Nm
35 mm DIN rail mount, EN 50022 or on panel mounting
78,1 x 15,9 x 61(66,5) mm
Two poles, 5 mm raster
12 A, 300 V AC



Connections diagrams



Dimensions

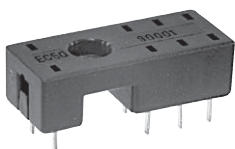


Accessories ② GZT80-0040 GZT80-0035 Module type M...

EC50

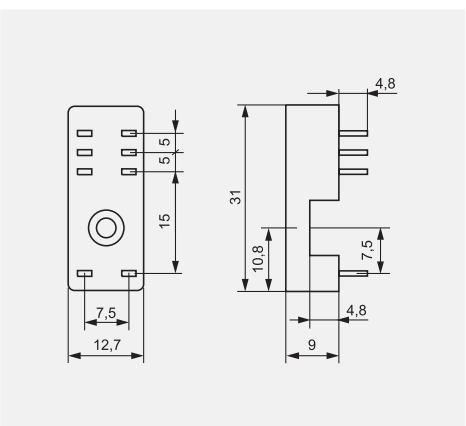
For RM84, RM85, RM85 inrush, RM85 105 °C sensitive, RM87L, RM87P

For PCB
31 x 12,7 x 9 mm
Two poles, 5 mm raster
8 A, 300 V AC



Accessories MH16-2

Dimensions



① For RM85, RM85 inrush, RM85 105 °C sensitive: loads above 12 A require bridging pairs of terminals: 11 with 21, 12 with 22, 14 with 24.
② In the brackets the height of socket with retainer / retractor clip is shown.

② Mounting and disassembly of accessories in the socket - see page 197
Signalling / protecting modules type M... - see page 198

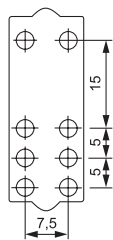
PW80

For RM84, RM85, RM85 inrush, RM85 105 °C sensitive, RM87L, RM87P

For PCB
34,6 x 12,9 x 6,6 mm
Two poles, 5 mm raster
8 A, 250 V AC

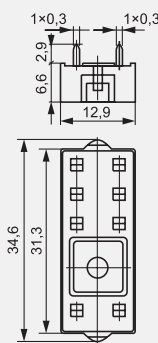


PCB openings raster



Accessories MH16-2

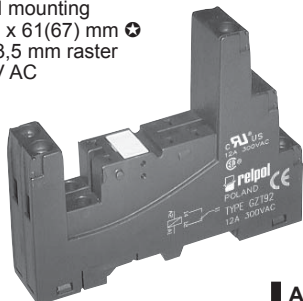
Dimensions



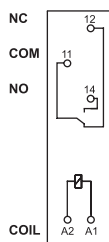
GZT92

For RM87N, RM87N sensitive

Screw terminals
Maximum screw torque: 0,7 Nm
35 mm DIN rail mount, EN 50022
or on panel mounting
75,3 x 15,5 x 61(67) mm
One pole, 3,5 mm raster
12 A, 300 V AC

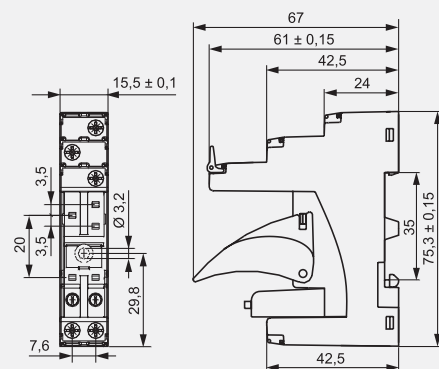


Connections diagram



Accessories GZT80-0040 GZT80-0035 Module type M...

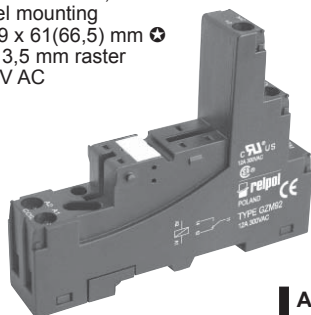
Dimensions



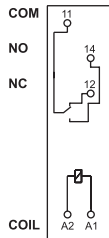
GZM92

For RM87N, RM87N sensitive

Screw terminals
Maximum screw torque: 0,7 Nm
35 mm DIN rail mount, EN 50022
or on panel mounting
78,1 x 15,9 x 61(66,5) mm
One pole, 3,5 mm raster
12 A, 300 V AC

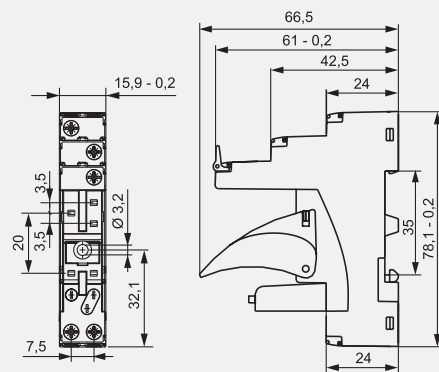


Connections diagram



Accessories GZT80-0040 GZT80-0035 Module type M...

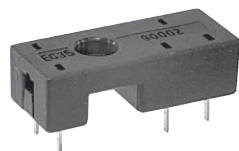
Dimensions



EC35

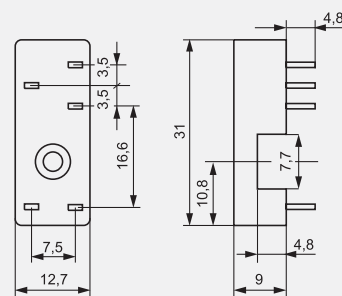
For RM87N, RM87N sensitive

For PCB
31 x 12,7 x 9 mm
One pole, 3,5 mm raster
12 A, 300 V AC



Accessories MH16-2

Dimensions



⊗ Mounting and disassembly of accessories in the socket - see page 197
Signalling / protecting modules type M... - see page 198

⊕ In the brackets the height of socket with retainer / retractor clip is shown.

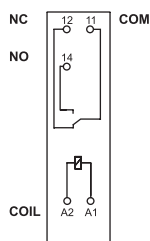
GZ96

For RM96 1 C/O

Screw terminals
35 mm DIN rail mount, EN 50022
or on panel mounting
75 x 15,5 x 42,5(59) mm
One pole, raster 3,2 mm
12 A, 300 V AC



Connections diagram

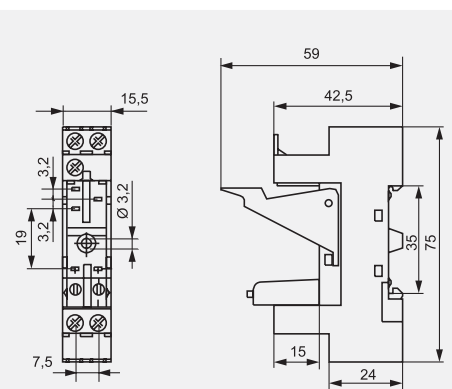


Accessories MS16

TR

Module type M...

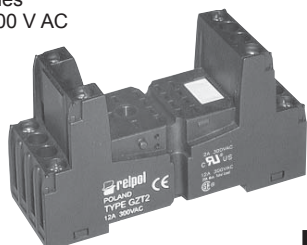
Dimensions



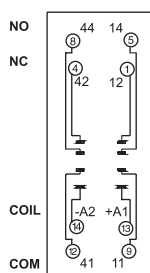
GZT2

For R2

Screw terminals
Maximum screw torque: 0,7 Nm
35 mm DIN rail mount, EN 50022
or on panel mounting
76,3 x 27 x 42,5(80) mm
Two poles
12 A, 300 V AC



Connections diagram



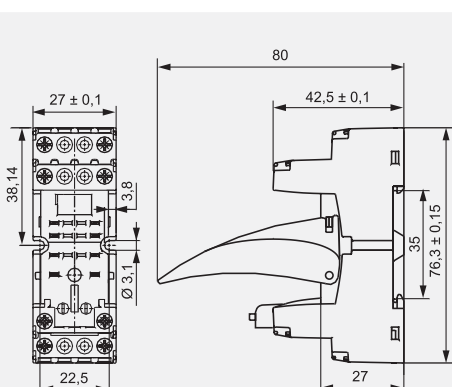
Accessories MS16

GZT4-0040

G4 1052

Module type M...

Dimensions



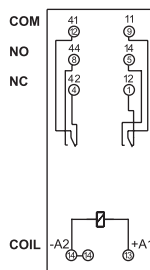
GZM2

For R2

Screw terminals
Maximum screw torque: 0,7 Nm
35 mm DIN rail mount, EN 50022
or on panel mounting
75 x 27 x 61(82) mm
Two poles
12 A, 300 V AC



Connections diagram



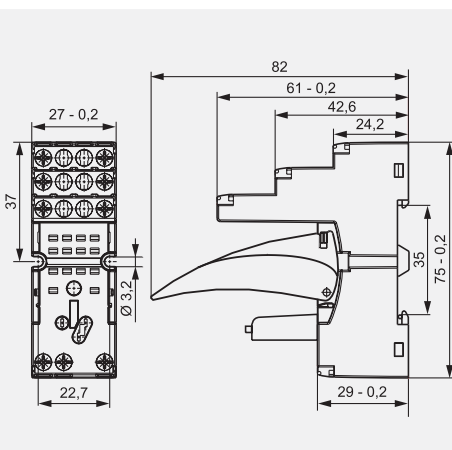
Accessories MS16

GZT4-0040

G4 1052

Module type M...

Dimensions



Mounting and disassembly of accessories in the socket - see page 197
Signalling / protecting modules type M... - see page 198

In the brackets the height of socket with retainer / retractor clip is shown.

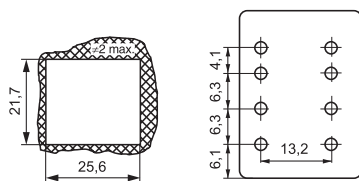
SU4/2D

For R2

For PCB
29,6 x 21,5 x 11 mm
12 A, 250 V AC

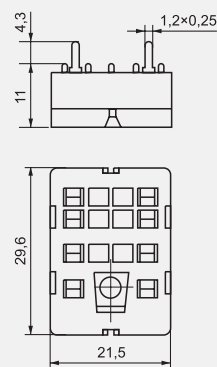


Dimensions of opening on panel mounting PCB openings raster



Accessories ⑧ G4 1053 G4 1050

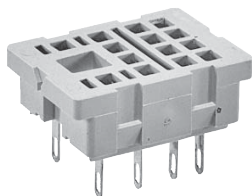
Dimensions



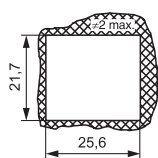
SU4/2L

For R2

Solder terminals
29,6 x 21,5 x 18,1 mm
12 A, 250 V AC

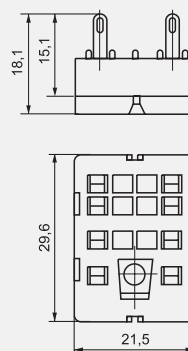


Dimensions of opening on panel mounting



Accessories ⑧ G4 1053 G4 1050 G4 1040

Dimensions



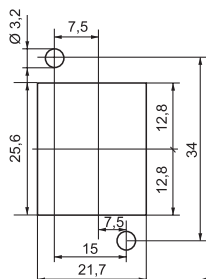
G4/2

For R2

Solder terminals
40,5 x 21,5 x 18,1 mm
12 A, 250 V AC

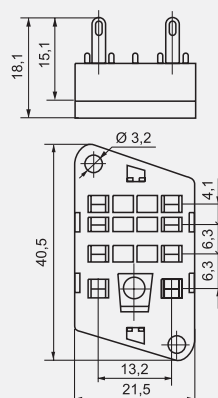


Raster of openings on panel mounting



Accessories ⑧ G4 1053 G4 1050

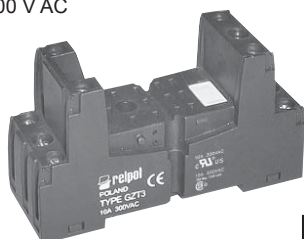
Dimensions



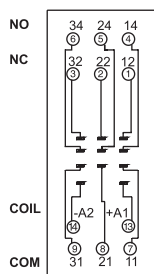
GZT3

For R3

Screw terminals
Maximum screw torque: 0,7 Nm
35 mm DIN rail mount, EN 50022
or on panel mounting
76,3 x 27 x 42,5(80) mm
Three poles
10 A, 300 V AC

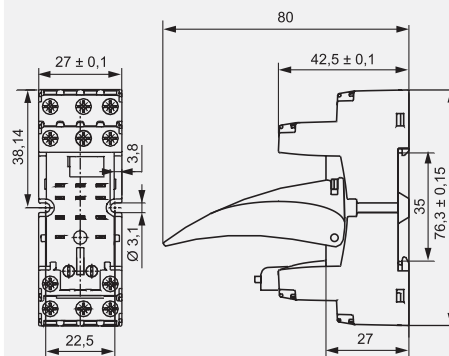


Connections diagram



Accessories ⑨ GZT4-0035 Module type M...

Dimensions



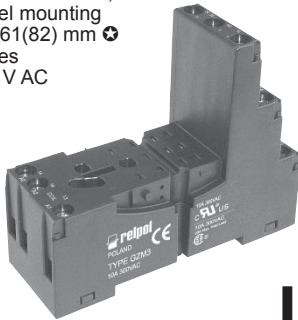
⑧ Mounting and disassembly of accessories in the socket - see page 197
Signalling / protecting modules type M... - see page 198

⑨ G4 1053 - for R2...WT, R4...WT relays; G4 1050 - for R2, R4 without WT
⊗ In the brackets the height of socket with retainer / retractor clip is shown.

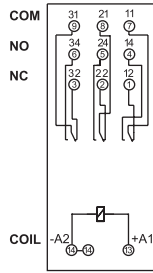
GZM3

For R3

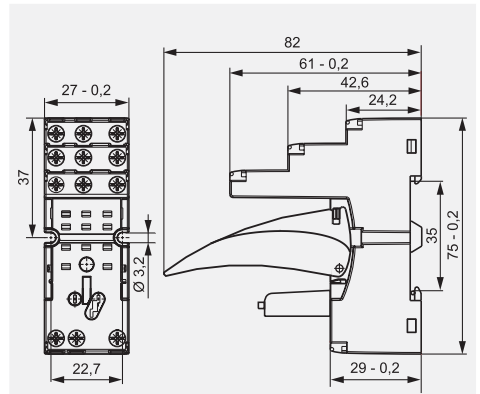
Screw terminals
Maximum screw torque: 0,7 Nm
35 mm DIN rail mount, EN 50022
or on panel mounting
75 x 27 x 61(82) mm
Three poles
10 A, 300 V AC



Connections diagram



Dimensions

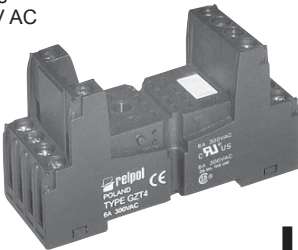


Accessories

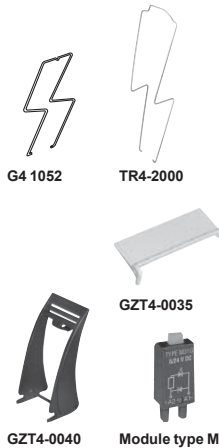
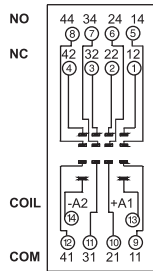
GZT4

For R4, T-R4

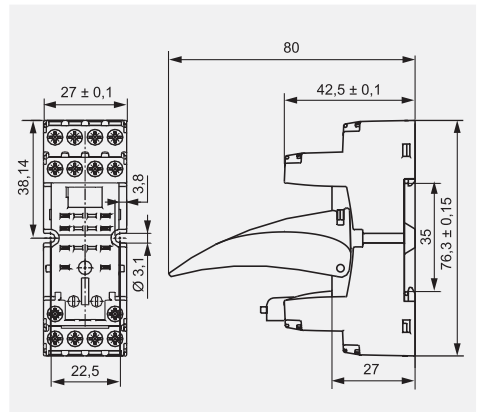
Screw terminals
Maximum screw torque: 0,7 Nm
35 mm DIN rail mount, EN 50022
or on panel mounting
76,3 x 27 x 42,5(80) mm
Four poles
6 A, 300 V AC



Connections diagram



Dimensions

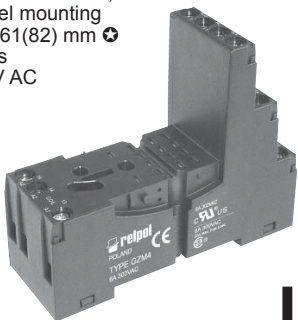


Accessories

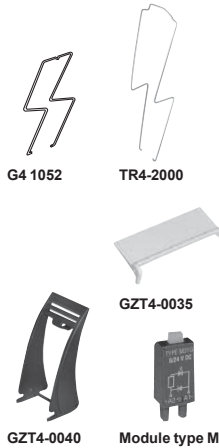
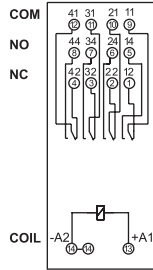
GZM4

For R4, T-R4

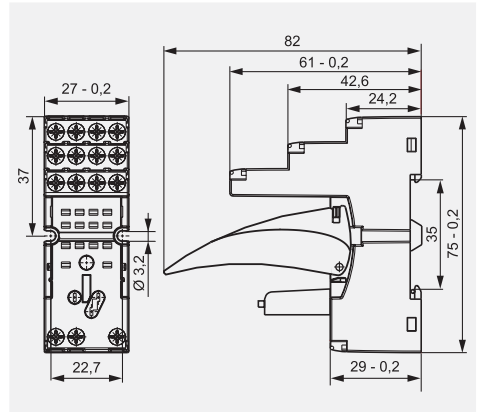
Screw terminals
Maximum screw torque: 0,7 Nm
35 mm DIN rail mount, EN 50022
or on panel mounting
75 x 27 x 61(82) mm
Four poles
6 A, 300 V AC



Connections diagram



Dimensions

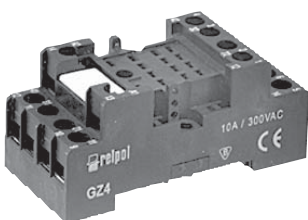


Accessories

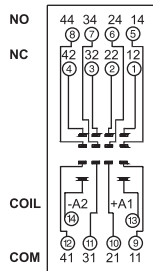
GZ4

For R4

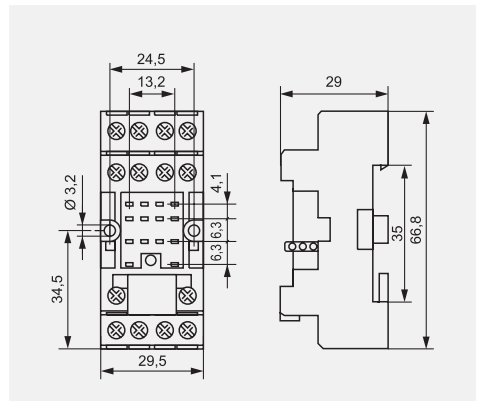
Screw terminals
35 mm DIN rail mount, EN 50022
or on panel mounting
66,8 x 29,5 x 29 mm
Four poles
10 A, 300 V AC



Connections diagram



Dimensions



Accessories

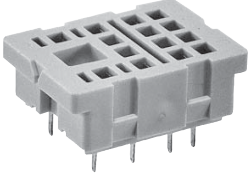
⊗ Mounting and disassembly of accessories in the socket - see page 197
Signalling / protecting modules type M... - see page 198
⊕ In the brackets the height of socket with retainer / retractor clip is shown.

⊕ Have obtained LR Type Approval Certificate (Lloyd's Register)
⊕ For R4 relays: G4 1052, GZT4-0040, GZT4-0035, module type M...
For T-R4 relays: TR4-2000, GZT4-0035

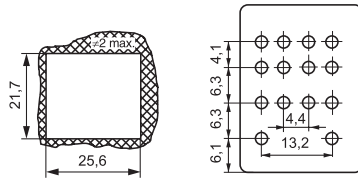
SU4D

For R4

For PCB
29,6 x 21,5 x 11 mm
6 A, 250 V AC

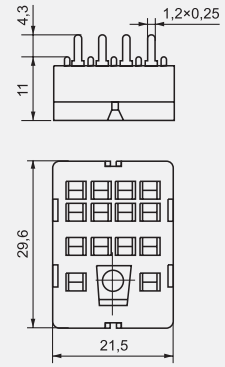


Dimensions of opening on panel mounting PCB openings raster



Accessories G4 1053 G4 1050

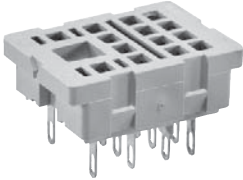
Dimensions



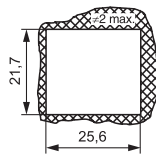
SU4L

For R4

Solder terminals
29,6 x 21,5 x 18,1 mm
6 A, 250 V AC

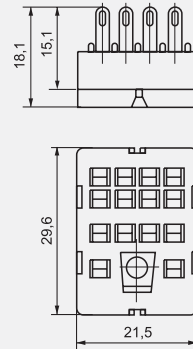


Dimensions of opening on panel mounting



Accessories G4 1053 G4 1050 G4 1040

Dimensions



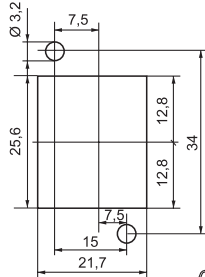
G4

For R4

Solder terminals
40,5 x 21,5 x 18,1 mm
6 A, 250 V AC

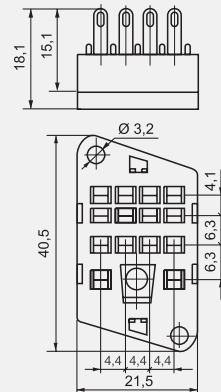


Raster of openings on panel mounting



Accessories G4 1053 G4 1050

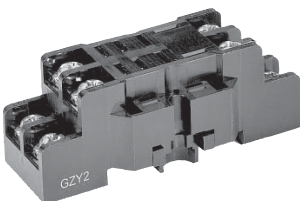
Dimensions



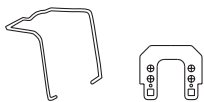
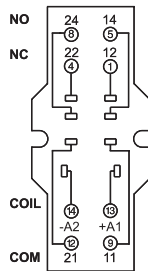
GZY2

For RY2

Screw terminals
35 mm DIN rail mount, EN 50022
or on panel mounting
67 x 22 x 25 mm
Two poles
12 A, 250 V AC

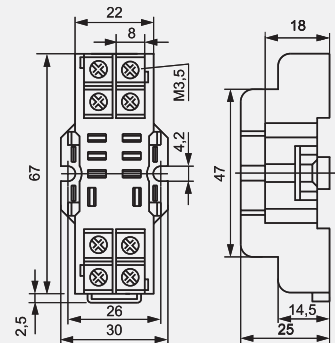


Connections diagram



Accessories GZY 2000 GZ2 1111

Dimensions

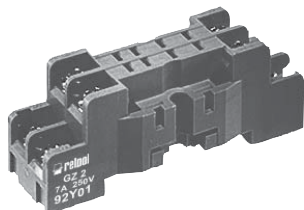


G4 1053 - for R2...WT, R4...WT relays; G4 1050 - for R2, R4 without WT

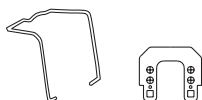
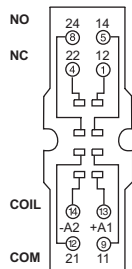
GZ2

For R2M

Screw terminals
35 mm DIN rail mount, EN 50022
or on panel mounting
63,2 x 17 x 25 mm
7 A, 250 V AC



Connections diagram

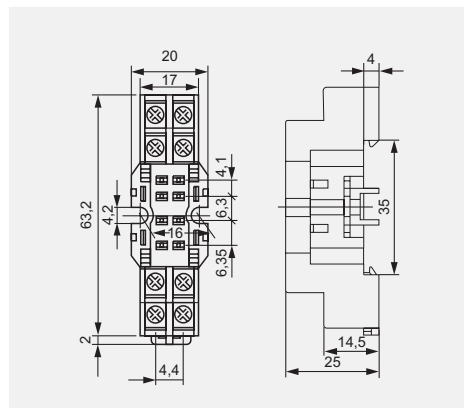


Accessories

GZ2 1060

GZ2 1111

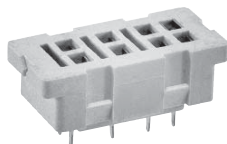
Dimensions



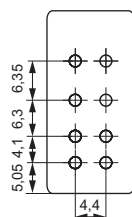
S2M

For R2M

For PCB
29,6 x 14 x 10,5 mm
5 A, 250 V AC



PCB openings raster

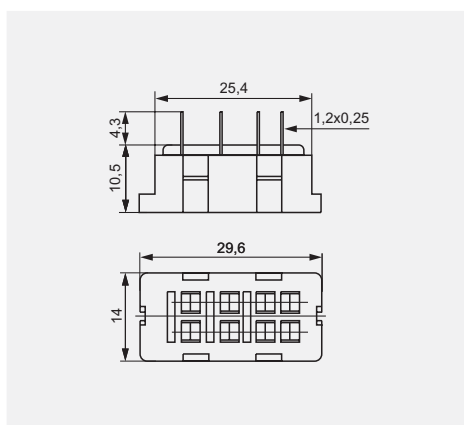


Accessories

G4 1050

G2M 1020

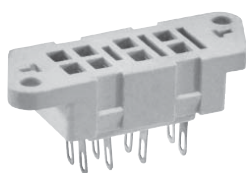
Dimensions



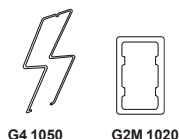
G2M

For R2M

Solder terminals
40,5 x 14 x 10,5 mm
5 A, 250 V AC



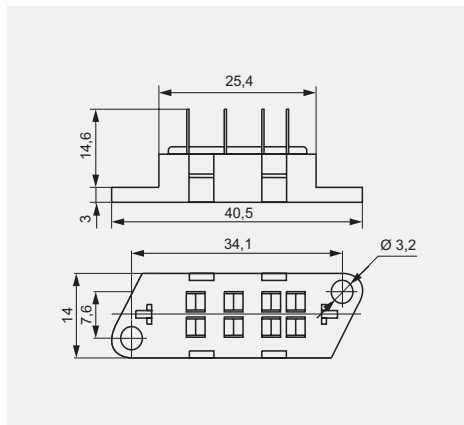
Accessories



G4 1050

G2M 1020

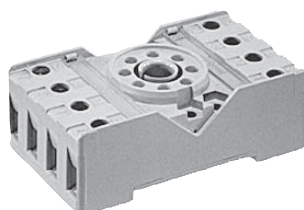
Dimensions



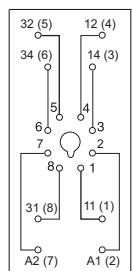
PZ8 ④

For R15 2 C/O

Screw terminals
35 mm DIN rail mount, EN 50022
or on panel mounting
68,2 x 38 x 24,2 mm
10 A, 250 V AC



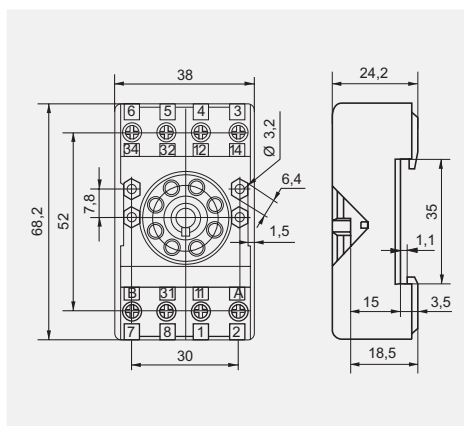
Connections diagram



Accessories

PZ11 0031

Dimensions

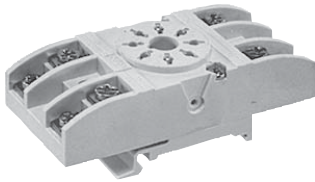


④ Have obtained LR Type Approval Certificate (Lloyd's Register)

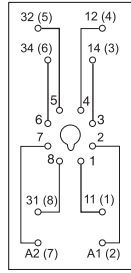
GZU8

For R15 2 C/O

Screw terminals
35 mm DIN rail mount, EN 50022
82 x 35,5 x 25,7 mm
10 A, 300 V AC

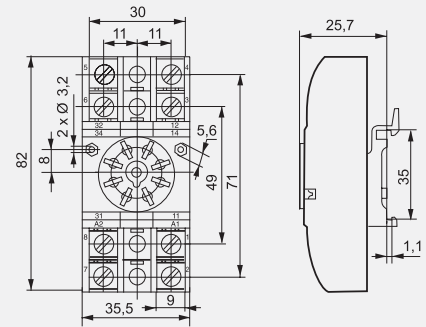


Connections diagram Adapter



GZU 1052

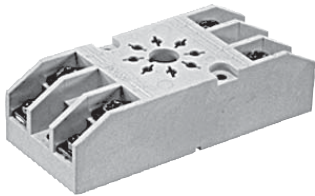
Dimensions



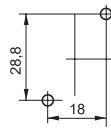
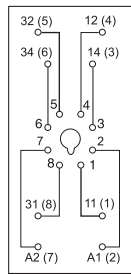
GZ8

For R15 2 C/O

Screw terminals
On panel mounting
82,8 x 35,5 x 22,5 mm
10 A, 300 V AC

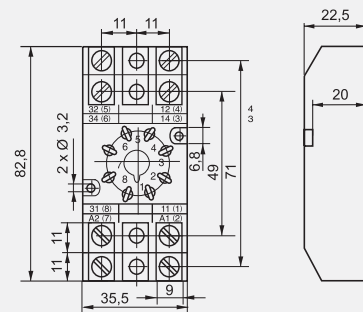


Connections diagram Raster of openings on panel mounting



GZ 1050

Dimensions



GOP8

For R15 2 C/O

Solder terminals
47,2 x 32 x 22 mm
10 A, 250 V AC



Accessories

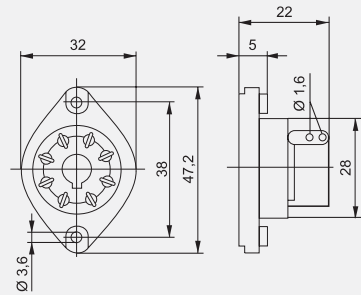


R159 1051



R15 5922

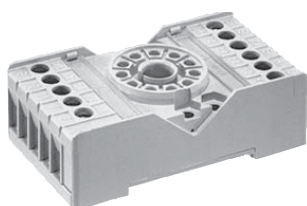
Dimensions



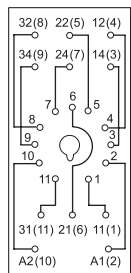
PS11 ④

For R15 3 C/O

Screw terminals
35 mm DIN rail mount, EN 50022
or on panel mounting
68,2 x 38 x 24,2 mm
10 A, 250 V AC

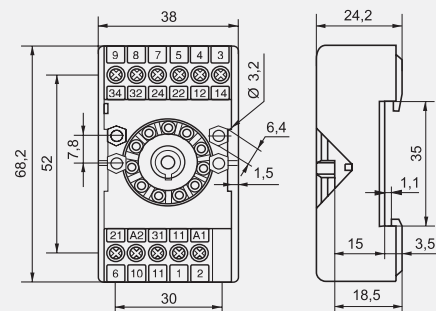


Connections diagram



PZ11 0031

Dimensions

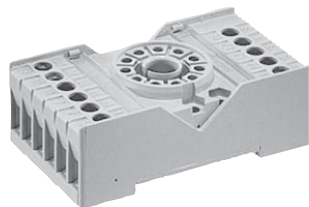


④ Have obtained LR Type Approval Certificate (Lloyd's Register)

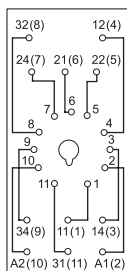
PZ11 ④

For R15 3 C/O

Screw terminals
35 mm DIN rail mount, EN 50022
or on panel mounting
68,2 x 38 x 24,2 mm
10 A, 250 V AC

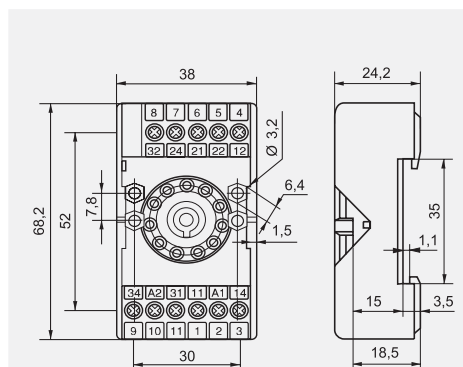


Connections diagram



PZ11 0031

Dimensions

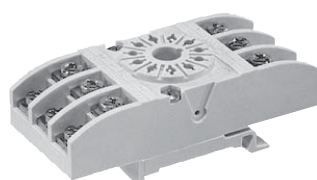


Accessories

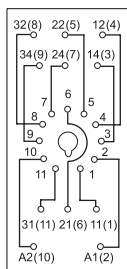
GZU11

For R15 3 C/O

Screw terminals
35 mm DIN rail mount, EN 50022
82 x 35,5 x 25,7 mm
10 A, 250 V AC

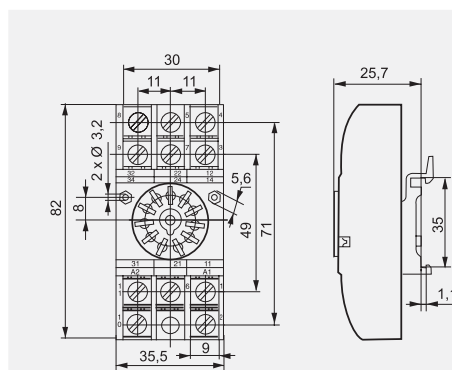


Connections diagram Adapter



GZU 1052

Dimensions

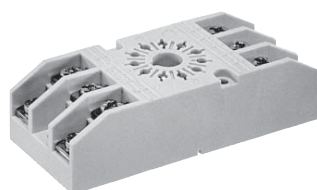


Accessories

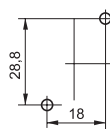
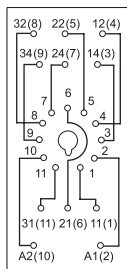
GZ11

For R15 3 C/O

Screw terminals
On panel mounting
82,8 x 35,5 x 22,5 mm
10 A, 250 V AC

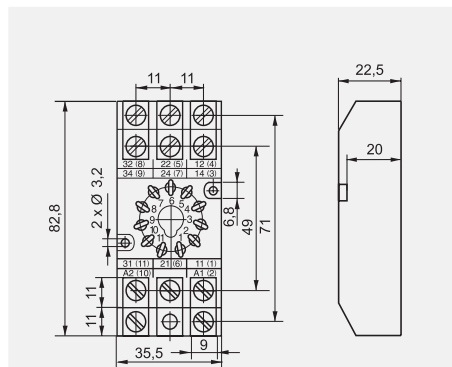


Connections diagram Raster of openings on panel mounting



GZ 1050

Dimensions

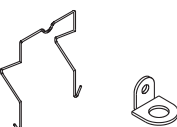


Accessories

GOP11

For R15 3 C/O

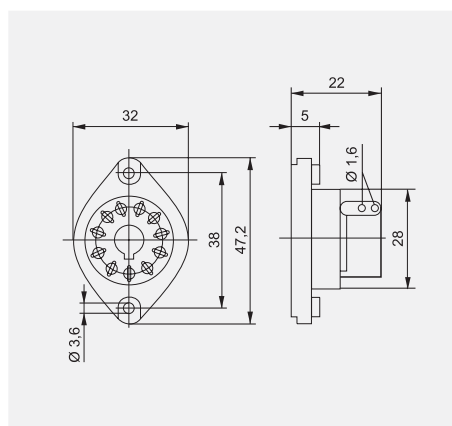
Solder terminals
47,2 x 32 x 22 mm
10 A, 250 V AC



R159 1051

R15 5922

Dimensions



④ Have obtained LR Type Approval Certificate (Lloyd's Register)

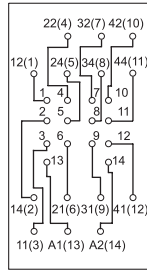
GZ14U

For R15 4 C/O

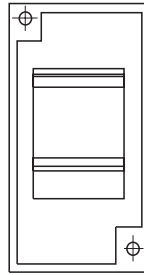
Screw terminals
35 mm DIN rail mount, EN 50022
92 x 46 x 35,5 mm
10 A, 250 V AC



Connections diagram

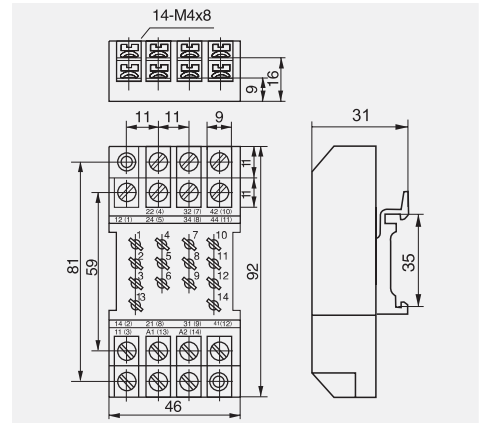


Adapter



GZ14 0737

Dimensions



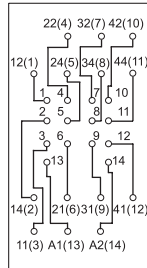
GZ14

For R15 4 C/O

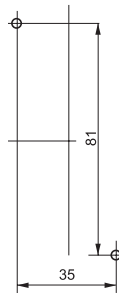
Screw terminals
On panel mounting
92 x 46 x 22,5 mm
10 A, 250 V AC



Connections diagram

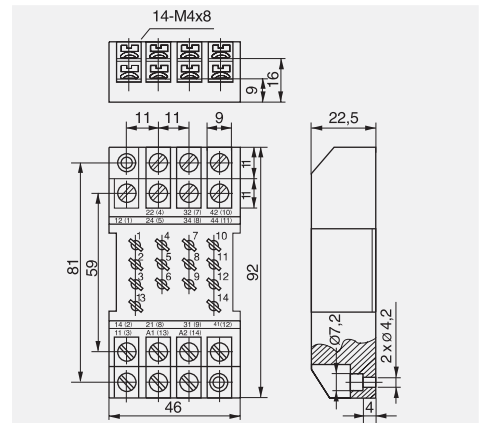


Raster of openings on panel mounting



GZ14 0737

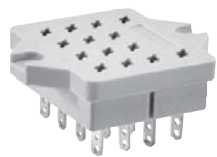
Dimensions



GOP14

For R15 4 C/O

Solder terminals
50 x 42 x 23 mm
10 A, 250 V AC



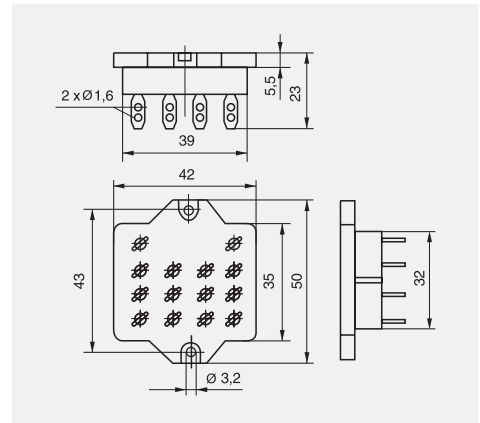
Accessories

R15 0736

R15 5922



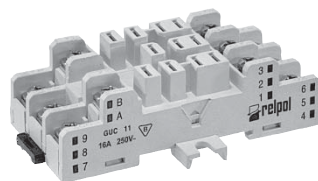
Dimensions



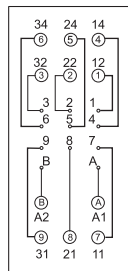
GUC11

For RUC

Screw terminals
35 mm DIN rail mount, EN 50022
or on panel mounting
82 x 42,2 x 26,5 mm
16 A, 250 V AC



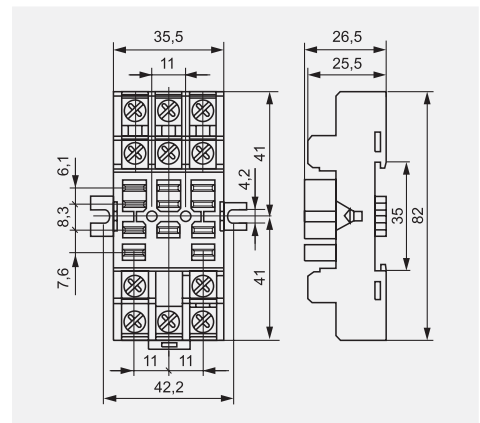
Connections diagram



Accessories

MBA

Dimensions



Ⓜ GUC11 limits max. switching voltage up to 250 V AC/DC and coil rated voltage up to 240 V AC.